

High Definition Video Wall Display

55BSD231

024 3999 1186

09 8822 6669

inspired@aicorp.tech

www.aicorp.tech

E.0323



- The unprecedented razor-thin bezel: 0.88 mm
- W-LED backlit provide high brightness uniformity without border shadows
- High brightness and high contrast effectively sharp image, true color
- Lifespan 60,000 hours with 24/7 operation
- Original LG panel



- Front maintenance makes the maintenance more easily and quickly
- Multiple signal inputs of video
- Installation: free stand/ wall mount
- Easily set up a UHD video wall without the need of graphic card or controller



- Color rendering delivers vivid and consistent colors on the entire screen
- Anti-glare panel, limiting reflections on the screen in bright conditions, enhancing the ability to view images and read text



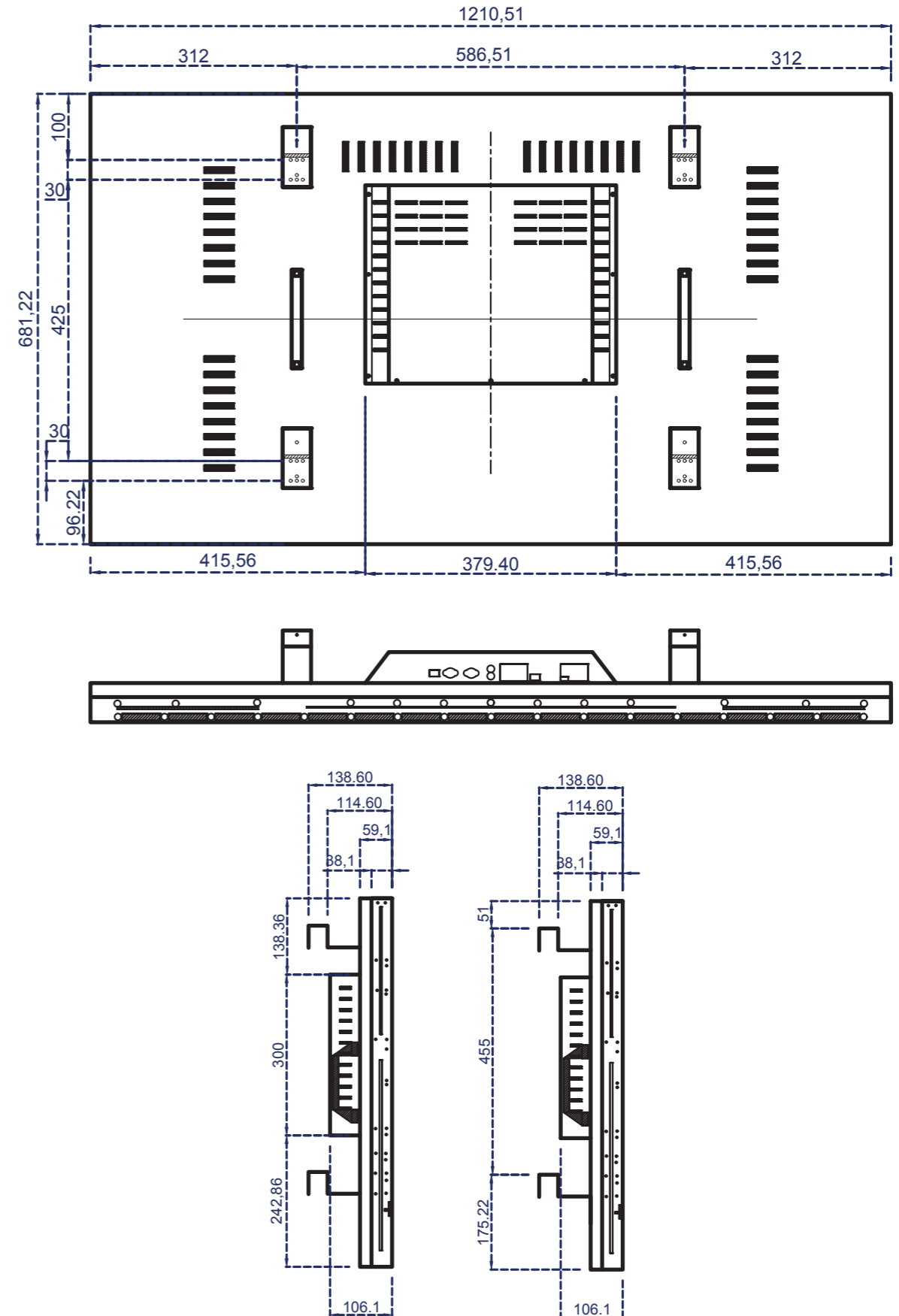
- Dislocation splicing: general, horizontal screen, vertical screen, free style
- Metal case protects the units from interference of radiation, magnetic fields and strong electric fields
- Intelligent temperature control, automatically check body temperature to turn on fan
- Energy saving and environmental protection



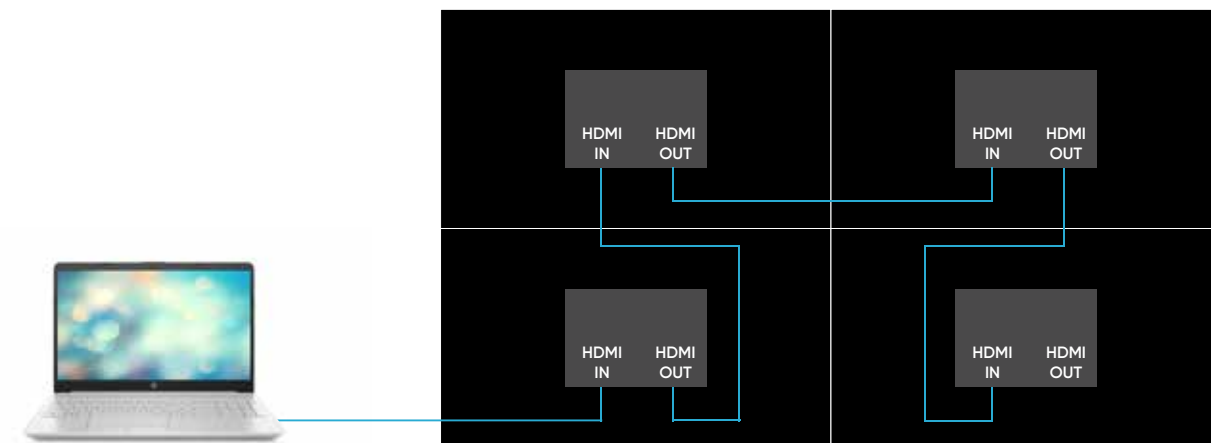
55BSD231 Specifications

Model	55BSD231
Panel	LG Panel
Panel Size (diagonal)	55"
Panel Technology	IPS
Backlight	LED
Resolution	1920x1080p (FullHD) / 3840x2160p (4K)
Physical Seam	0.88 mm
Color Support	1.07B, 10bit
Brightness	500 nits
Aspect Ratio	16:9
Contrast	1200:1
Viewing Angle	178° Horizontal 178° Vertical
Lifetime	60000 hours
Pixel Pitch	6.3 (H) x 6.3 (V)
Treatment	Antiglare (Haze 10%)
Responsive time	8ms
Refresh Rate	60Hz
Connectivity	
Input	1*DisplayPort, 1*HDMI, 1*DVI, 1*RJ45, 1*VGA, 1*USB
Output	1*HDMI, 2*RJ45, 1*Audio 3.5mm
General	
Power Supply	110-220 VAC, 50/60 Hz
Power Consumption	< 200W
Dimension	1210.51 x 681.22 x 105.1 mm
Operating Temperature	0°C ~ 50°C
Operating Humidity	20% ~ 90% (non-condensing)
Storage Temperature	-20°C ~ 60°C
Storage Humidity	10% ~ 90% (non-condensing)
Language	English
Accessories	Remote Control, IR Cable, RJ45 Cable, HDMI Cable
Certificate	CE / FCC / RoHS / ISO 9001:2015

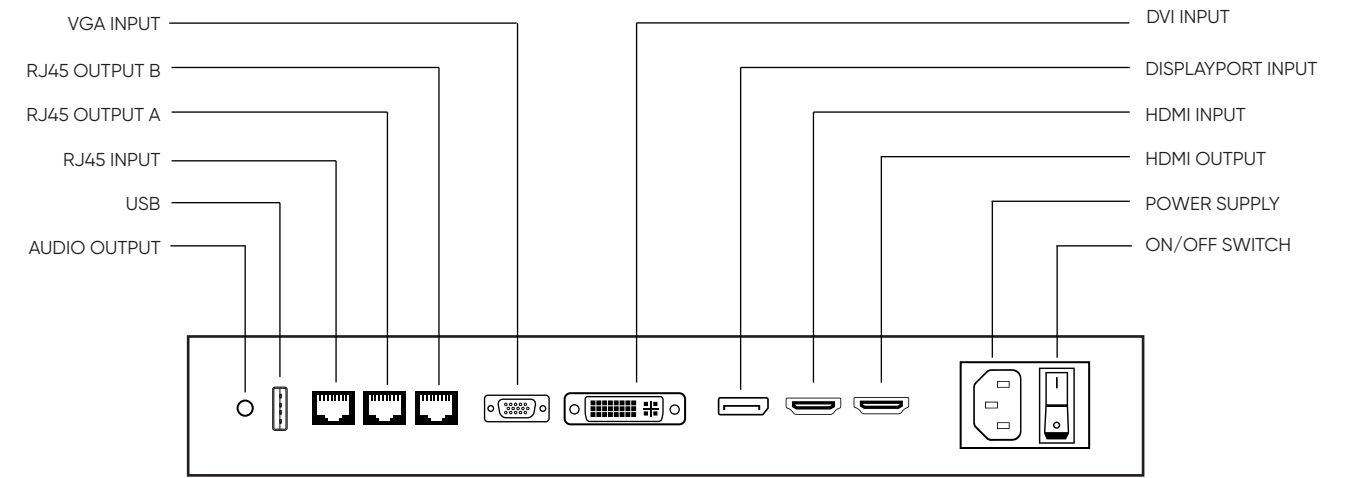
55BSD231 Dimensions



How to Connect



Interfaces



Designed by Aviation Technology Infrastructure Corporation (Vietnam)
Made in China

Product specifications and availability are subject to change without notice.
For more information, please visit at www.aicorp.tech.